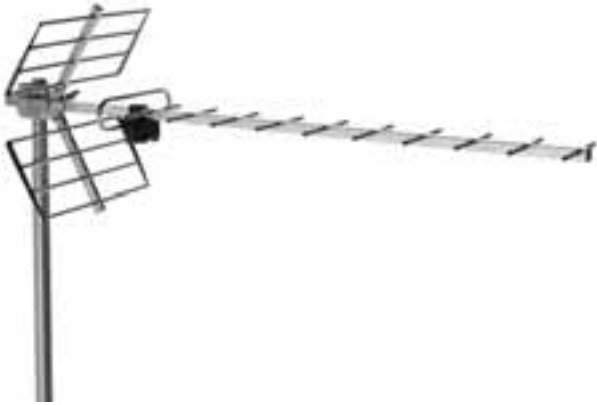
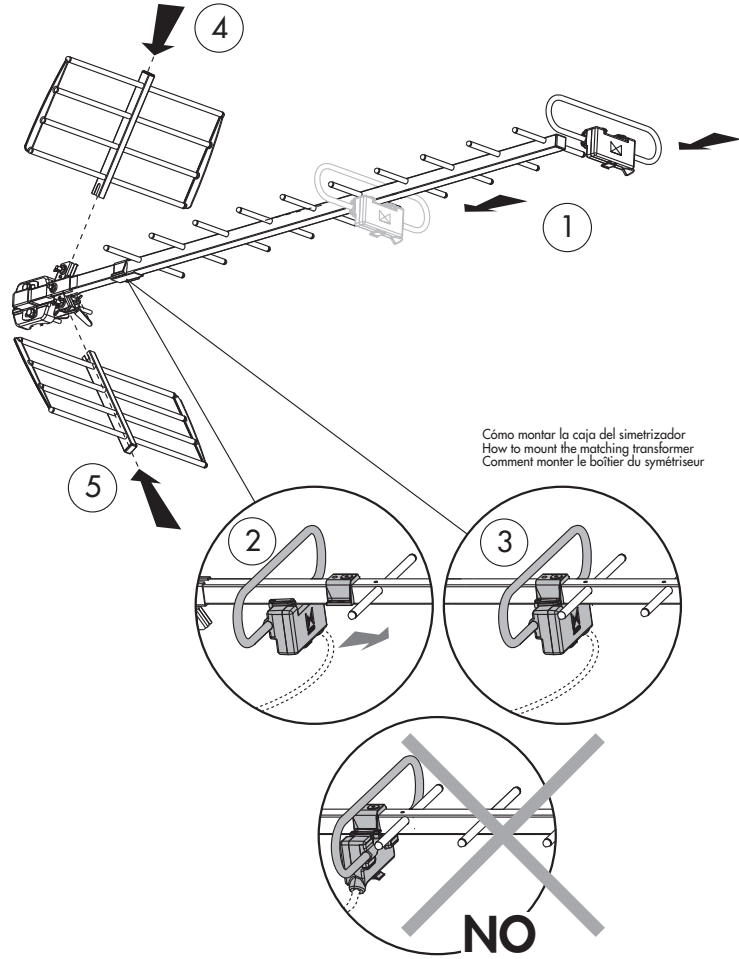




ANTENAS TV BANDA UHF
TV ANTENNAS UHF BAND
ANTENNES TV BANDE UHF



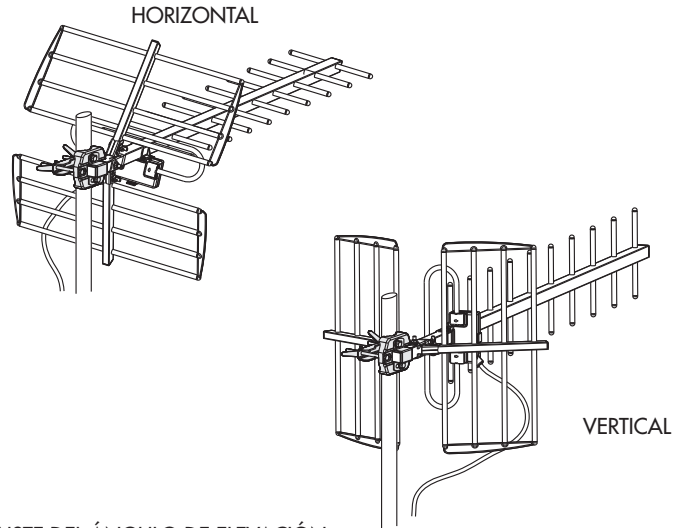
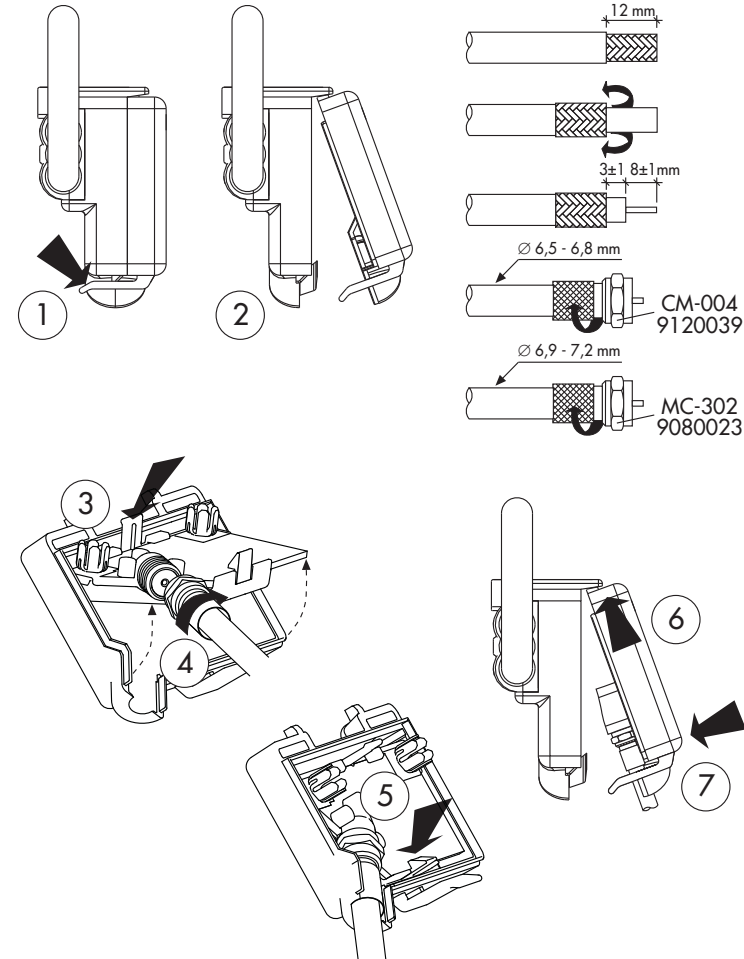
CÓMO MONTAR LA ANTENA BU-116
HOW TO MOUNT THE ANTENNA BU-116
COMMENT MONTER L'ANTENNE BU-116



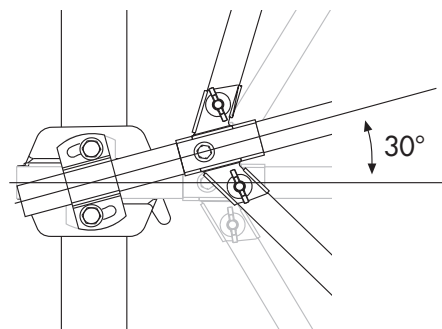
SERIE 900 SERIES

CÓMO CONECTAR EL CABLE COAXIAL EN LA CAJA DEL SIMETRIZADOR
HOW TO CONNECT THE COAXIAL CABLE TO THE MATCHING TRANSFORMER
COMMENT RELIER LE CÂBLE COAXIAL DANS LE BOITIER DU SYMETRISEUR

MONTAJE DE LA POLARIDAD HORIZONTAL O VERTICAL
MOUNTING IN EITHER HORIZONTAL OR VERTICAL POLARITY
MONTAGE EN HORIZONTAL OU VERTICAL



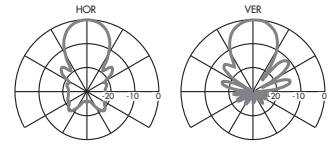
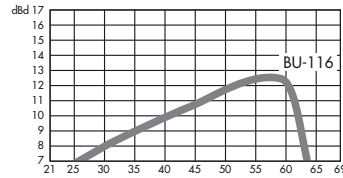
AJUSTE DEL ÁNGULO DE ELEVACIÓN
ELEVATION ANGLE ADJUSTMENT
RÉGLAGE DE L'ANGLE D'ELEVATION



CÓDIGO-CODE-CODE	9000084	
MODELO-MODEL-MODELE	BU-116	
Rango de frecuencias Frequency range Gamme de fréquences	MHz	470-790
Canales Channels Canaux		21-60
Ganancia Gain Gain	dBd	12,5
Relación delante/detrás Front/back ratio Rapport avant/arriere	dB	21
Impedancia Impedance Impédance	Ω	75
Pérdidas de retorno Return loss Pertes de retour	dB	≥ 10
Polarización Polarity Polarisation		HOR / VER
Ángulo de apertura Beam width Angle d'ouverture	$^{\circ}$ H	34
	$^{\circ}$ V	35
Longitud Length Longueur	mm	1146
Resistencia al viento Wind loading Résistance au vent	N	H 40
	V	48
Índice de protección Protection index Indice de protection		IP 53

Todas las antenas incorporan simetizador.
All antennas supplied with matching transformer.
Toutes les antennes ont un symétriseur.

CURVA DE GANANCIA Y DIAGRAMAS DE RADIACIÓN
GAIN AND RADIATION GRAPHICS
COURBE DU GAIN ET DIAGRAMME DE RAYONNEMENT



DECLARATION OF CONFORMITY

according to EN ISO/IEC 17050-1:2004

Company Name: ALCAD, S.L.
Company Address: Pol. Ind. Arreche-Ugalde, 1
Apdo. 455, 20305 IRÚN (Guipúzcoa), SPAIN

declares that the product
Model Number(s): BU-116
Product Description: TV ANTENNAS UHF BAND
Product Option(s): INCLUDING ALL OPTIONS
is in conformity with:
Safety: EN 60728-11:2005

The product herewith complies with the requirements of the Low Voltage Directive 2006/95/EC and the EMC Directive 2004/108/EC.

Supplementary Information: To comply with these directives, do not use the products without covers and operate the system as specified.



Irún (SPAIN), 18 Sep 2013

Xabier Isasa
General Manager

Especificaciones sujetas a modificación sin previo aviso
Specifications subject to modifications without prior notice
Les spécifications sont soumises à de possibles modifications sans avis préalable



ALCAD S.L.
Tel. 943 63 96 60
Fax 943 63 92 66
Int. Tel. +34 - 943 63 96 60
info@alcad.net
Apdo. 455 - Pol. Ind. Arreche-Ugalde, 1
20305 IRUN - Spain
www.alcad.net

FRANCE - Hendaye
Tel. 00 34 - 943 63 96 60
CZECH REPUBLIC - Ostrovačice
Tel. 546 427 059
UNITED ARAB EMIRATES - Dubai
Tel. 971 4 214 61 40
TURKEY - Istanbul
tel. 212 295 97 00

