

Features

- 10A sugar cube relay
- Double NO terminal available
- Cd free contact material
- Maximum ambient temperature +105°C
- Approved by UL/CUL, VDE and CQC
- Comply with IEC 60335-1
- Comply with RoHS-Directive 2011/65/EU



Type List

Terminal style	Contact form	Contact Material	Version	Designation (provided with)	
				Flux tight	Sealed type washable
PCB terminal	1A (SPNO)	AgSnO	Standard	NF8 100 E..	NF8 100 E..S
			12A	NF8 100 E7..	NF8 100 E7..S
	1C (SPDT)	AgSnO	Standard	NF8 001 E..	NF8 001 E..S
			12A	NF8 001 E7..	NF8 001 E7..S

Ordering Information

NF8 001 E 7 24 - XXXX

1 2 3 4 5 6 7

- | | | | |
|----------|------------------------------------|----------|---|
| 1. NF8 | -- Basic series Designation | 5. Blank | -- Coil Voltage [VDC]: 6, 9, 12, 24, 48 |
| 2. 100 | -- Single pole normally open | 6. Blank | -- Flux tight |
| 001 | -- Single pole double throw | S | -- Sealed washable |
| 3. E | -- Contact Material Ag alloy | 7. Blank | -- Standard |
| 4. Blank | -- Standard Version 10A | xxxx | -- letters and/or numbers for special customer design |
| 7 | -- 12A Version, double NO Terminal | | |

Contact Data

Type of contact	Single contact
Configuration	1 NO, 1CO
Maximum switching current	10A,12A (refer to Ordering Information 4.)
Maximum switching voltage	250 VAC
Contact material	Ag alloy

Coil rating (DC @+23°C) - 360mW Version

U_N (VDC)	R (Ohm)	U_{PI} (VDC)	U_{DO} (VDC)	I_N (mA)
5	70 ± 10%	≤ 3.75	≥ 0.5	71
6	100 ± 10%	≤ 4.5	≥ 0.6	60
9	225 ± 10%	≤ 6.75	≥ 0.9	40
12	400 ± 10%	≤ 9	≥ 1.2	30
24	1600 ± 10%	≤ 18	≥ 2.4	15
48	6400 ± 10%	≤ 36	≥ 4.8	7.5

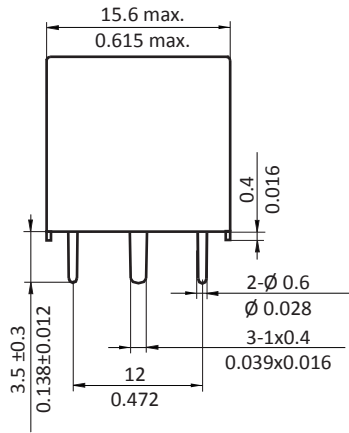
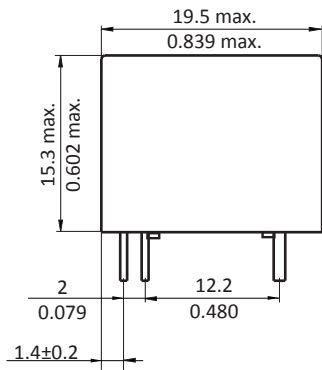
Specification

Mechanical life	10x10 ⁶ cycles		
Electrical life at rated load	10A Version	10A, 250VAC +85°C 6A, 250VAC +105°C	50x10 ³ 100x10 ³
	12A Version	12A, 250VAC +85°C 12A, 250VAC +70°C	50x10 ³ 100x10 ³
Max. Switching rate at rated load	360 Operations/h		
Operate Time / Release time	10 / 5 ms Max.		
Clearance / creepage distances	1.5 / 1.8 mm		
Dielectric strength	Between coil and contacts	1500V, 50/60Hz, 1min	
	Between open contacts	750V, 50/60Hz, 1min	
Ambient temperature	10A Version: -40 .. +105 °C; 12A Version: -40 .. + 85 °C ;		
Vibration resistance (10..55Hz)	1.5 mm		
Shock resistance 11 ms	10 g		
Approvals	VDE, UL/CUL		
Insulation materials for domestic appliances - according IEC60335-1.			

Safety Approval

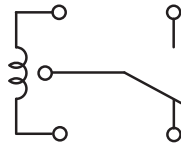
Certified	Ratings
UL/CUL	10A, 250VAC
	12A, 125VAC, +85°C, NO
	15A, 125VAC
VDE	10A, 250VAC, +85°C, NO contact
	6A, 250VAC, +105°C, NO contact
	6A, 400VAC, +85°C, NO contact
	12A, 250VAC, +85°C, NO contact
	12A, 250VAC, +70°C, NO contact
CQC	7A, 150VAC

Outline Dimensions

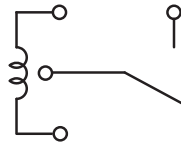


Wiring Diagram

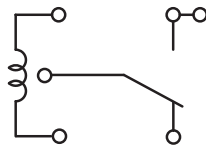
Bottom View



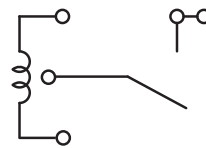
1CO



1NO



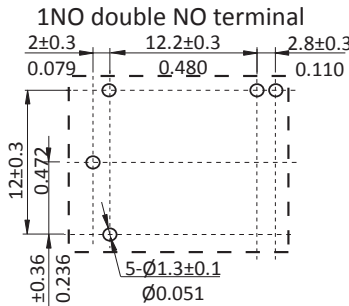
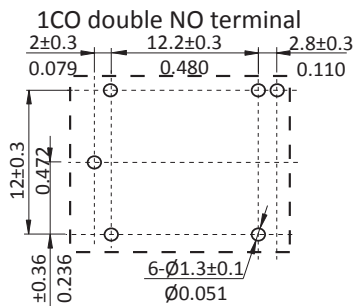
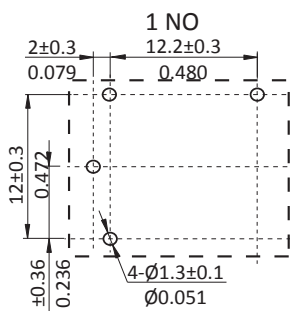
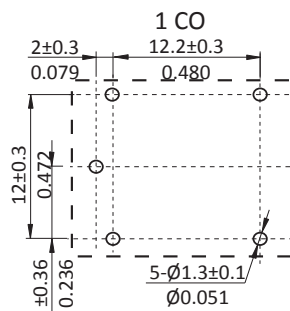
1CO double NO terminal



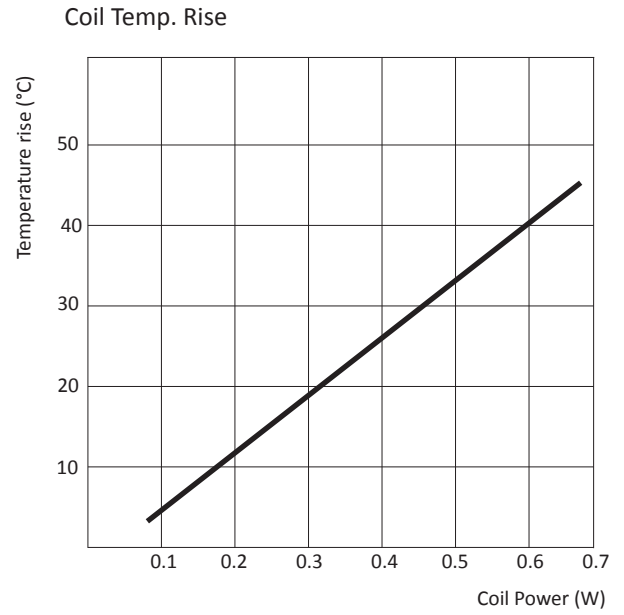
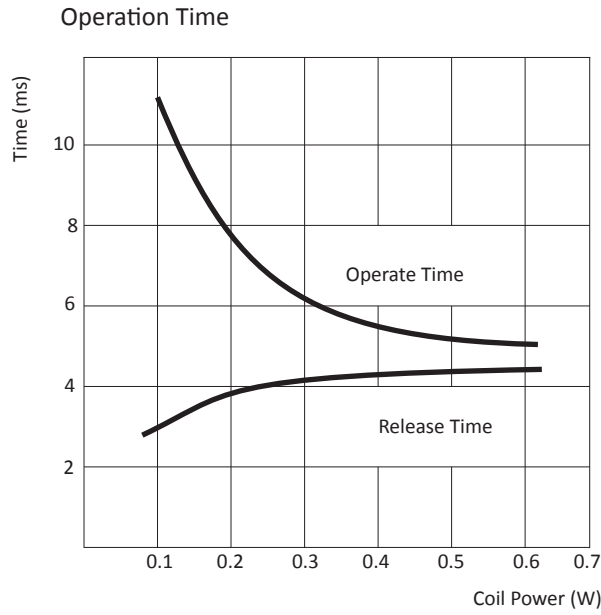
1NO double NO terminal

PC Board Layout

Bottom View



Engineering Data



Disclaimer

All technical performance data apply to the relay as such, specific conditions of the individual application are not considered. Please always check the suitability of the relay for your intended purpose. We do not assume any responsibility or liability for not complying herewith. We recommend to complete our questionnaire and to request our technical service. Any responsibility for the application of the product remains with the customer only. All specifications are subject to change without notification. All rights of NF Forward GmbH are reserved.