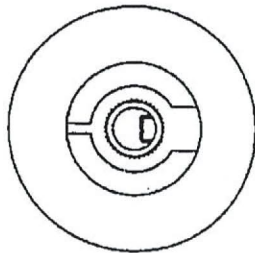
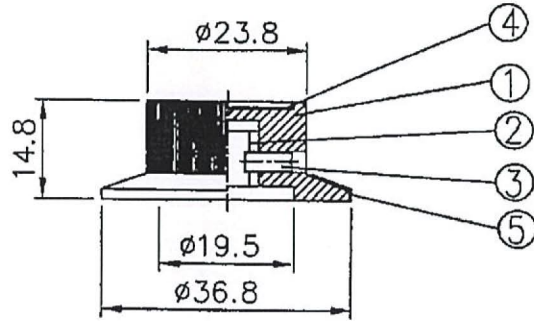
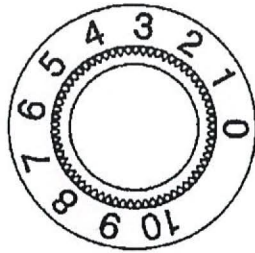


Date	Name	Descriptions	No
			△



原稿

D:\Project\...RN

5	Packing sheet	1	Aluminum		
4	Plaque	1	Aluminum		
3	Headsee set screw	1	Copper alloy		
2	Insert copper knob	1	Copper alloy	Ni-plating	
1	Knob	1	PF		
No	Descriptions	Q'ty	Specification	Finish	Remark
<b>Drawing</b>			<b>Check</b>		<b>Approval</b>
<b>Model Name</b>			CONTROL KNOB		
<b>Model No.</b>			RN-114A		
8/19/06	徐洲迎	8/21-06	Customer No.		
			Unit	mm	