









12 A / 250 V AC

- Miniature dimensions • Cadmium - free contacts • AC and DC coils
- For plug-in sockets, 35 mm DIN rail mount, EN 50022 or on panel mounting • For PCB and soldering connections - option • General purpose relays • WT (mechanical indicator + lockable front test button) - standard features of relays for plug-in sockets. Relays may be provided with the test buttons type P (no latching) and plugs - page 199
- Recognitions, certifications, directives: RoHS,      

Contact data

Number and type of contacts		2 C/O	
Contact material		AgNi , AgNi/Au 0,2 µm, AgNi/Au 5 µm	
Max. switching voltage	AC/DC	250 V / 250 V	
Min. switching voltage		5 V	
Rated load	AC1	12 A / 250 V AC ❶ 10 A / 250 V AC ❷	
	DC1	12 A / 24 V DC ❶ 10 A / 24 V DC ❷	
Min. switching current		5 mA AgNi, 5 mA AgNi/Au 0,2 µm, 2 mA AgNi/Au 5 µm	
Max. inrush current		24 A	
Rated current		12 A ❶ 10 A ❷	
Max. breaking capacity	AC1	3 000 VA ❶ 2 500 VA ❷	
Min. breaking capacity		0,3 W AgNi, 0,3 W AgNi/Au 0,2 µm, 0,1 W AgNi/Au 5 µm	
Contact resistance		≤ 100 mΩ	
Max. operating frequency	AC1	• at rated load	1 200 cycles/hour
		• no load	18 000 cycles/hour

Coil data

Rated voltage	50/60 Hz AC	6...240 V
	DC	5...220 V
Must release voltage		AC: ≥ 0,2 U _n DC: ≥ 0,1 U _n
Operating range of supply voltage		see Tables 1, 2
Rated power consumption	AC	1,6 VA
	DC	0,9 W

Insulation

Insulation category	C250	
Insulation rated voltage	250 V AC	
Rated surge voltage	4 000 V AC	
Overtoltage category	III PN-EN 60664-1	
Insulation pollution degree	3	
Dielectric strength	• between coil and contacts	2 500 V AC
	• contact clearance	1 500 V AC
	• pole - pole	2 500 V AC
Contact - coil distance	• clearance	≥ 2,5 mm
	• creepage	≥ 4 mm

General data

Operating time (typical value)	AC: 10 ms DC: 13 ms	
Release time (typical value)	AC: 8 ms DC: 3 ms	
Electrical life	• resistive AC1	≥ 10 ⁵ 12 A, 250 V AC
	• cos φ	see Fig. 2
Mechanical life (cycles)	≥ 2 x 10 ⁷	
Dimensions (L x W x H)	27,5 x 21,2 x 35,6 mm ❶ 27,5 x 21,1 x 33,5 mm ❷	
	27,5 x 21,2 x 33 mm ❸	
Weight	35 g	
Ambient temperature	• storage	-40...+85 °C
	• operating	AC: -40...+55 °C DC: -40...+70 °C
Cover protection category	IP 40	
Environmental protection	RTI PN-EN 116000-3	
Shock resistance (NO/NC)	10 g / 5 g	
Vibration resistance	5 g 10...150 Hz	
Solder bath temperature	max. 270 °C	
Soldering time	max. 5 s	

The data in bold type pertain to the standard versions of the relays.

❶ For plug-in sockets version: standard (WT) ❷ For PCB version ❸ For version with threaded bolt

Coil data - DC voltage version

Table 1

Coil code	Rated voltage V DC	Coil resistance (±10%) at 20 °C Ω	Coil operating range V DC	
			min. (at 20 °C)	max. (at 55 °C)
1005	5	28	4,0	5,5
1006	6	40	4,8	6,6
1012	12	160	9,6	13,2
1024	24	640	19,2	26,4
1048	48	2 600	38,4	52,8
1060	60	4 000	48,0	66,0
1080	80	7 100	64,0	88,0
1110	110	13 600	88,0	121,0
1125	125	16 000	100,0	137,5
1220	220	54 000	176,0	242,0

The data in bold type pertain to the standard versions of the relays.

Coil data - AC 50/60 Hz voltage version

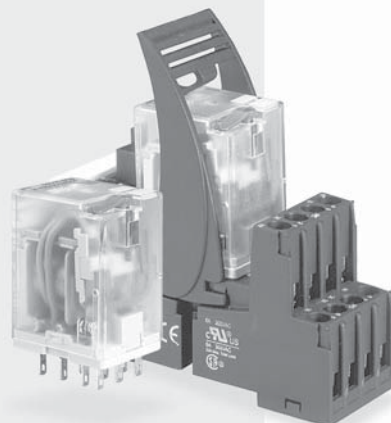
Table 2

Coil code	Rated voltage V AC	Coil resistance (±10%) at 20 °C Ω	Coil operating range V AC	
			min. (at 20 °C)	max. (at 55 °C)
5006	6	9,8	4,8	6,6
5012	12	39,5	9,6	13,2
5024	24	158,0	19,2	26,4
5042	42	470,0	33,6	46,2
5048	48	640,0	38,4	52,8
5060	60	930,0	48,0	66,0
5080	80	1 720,0	64,0	88,0
5110	110	3 450,0	88,0	121,0
5115	115	3 610,0	92,0	127,0
5120	120	3 770,0	96,0	132,0
5127	127	4 000,0	101,6	139,0
5220	220	15 400,0	176,0	242,0
5230	230	16 100,0	184,0	253,0
5240	240	16 800,0	192,0	264,0

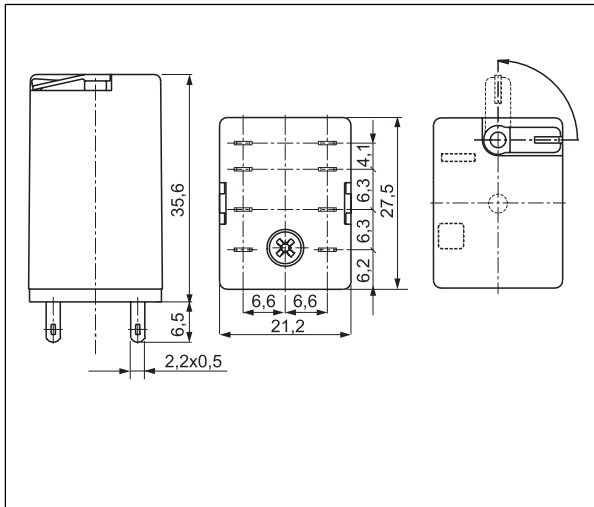
The data in bold type pertain to the standard versions of the relays.

EUROPRODUCT 2002
for electromagnetic relays
R2...WT, R3...WT, R4...WT
with sockets **GZT2, GZT3, GZT4**

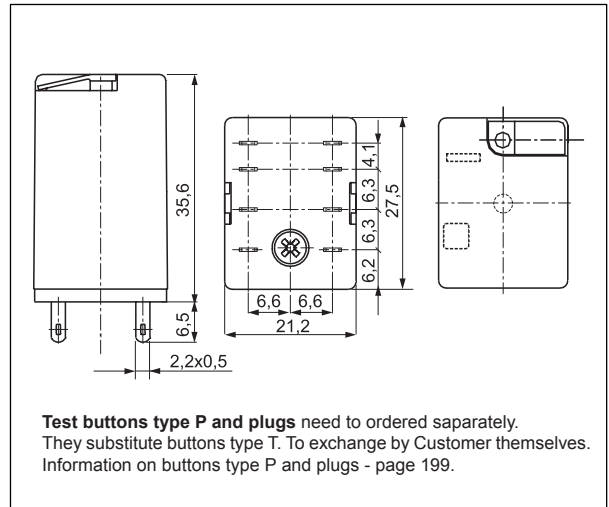
ELECTROPRODUCT 2003
for electromagnetic relays
R2, R3, R4



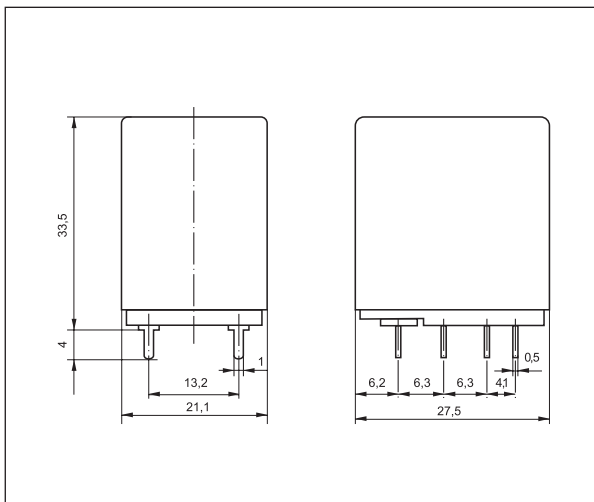
**Dimensions - plug-in version (WT),
with lockable front test button type T**



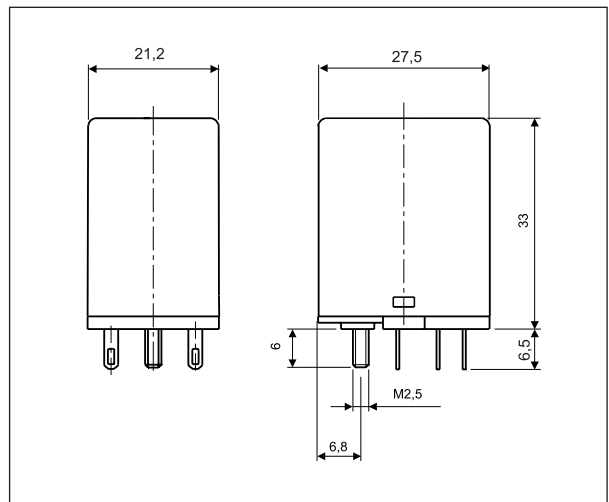
**Dimensions - plug-in version (WT),
with test button type P (no latching)
or with plug (no manual operation)**



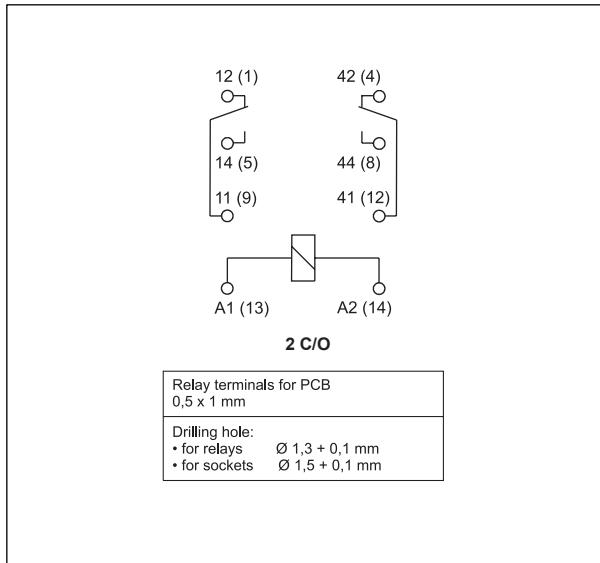
**Dimensions - PCB version
(without WT)**



Dimensions - version with threaded bolt

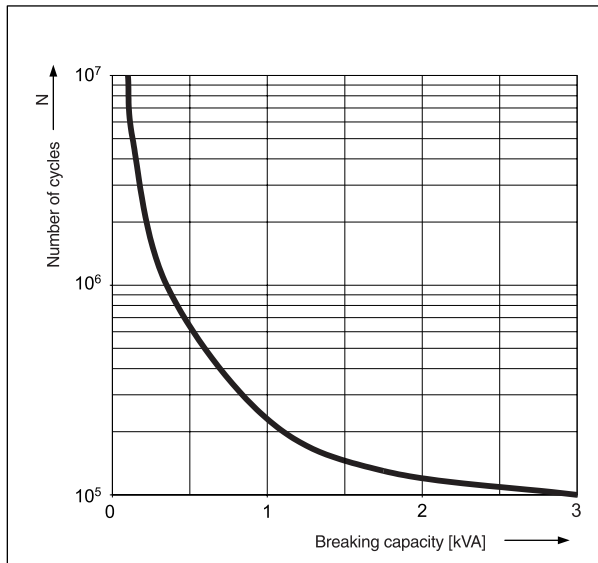


Connections diagram (pin side view)



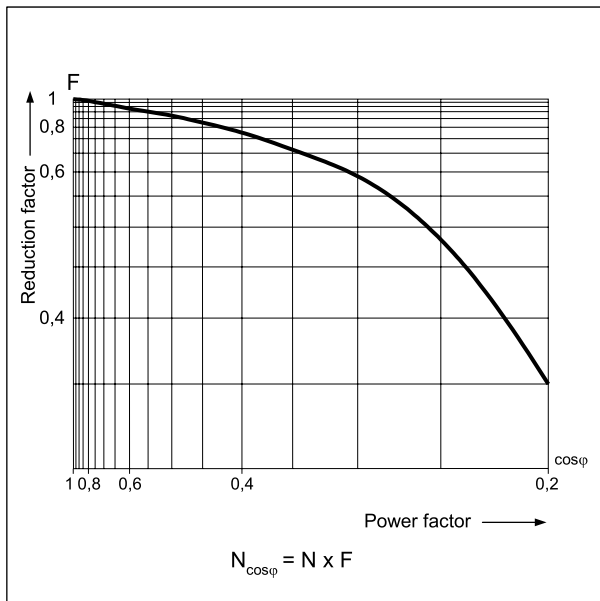
Electrical life at AC resistive load

Fig. 1



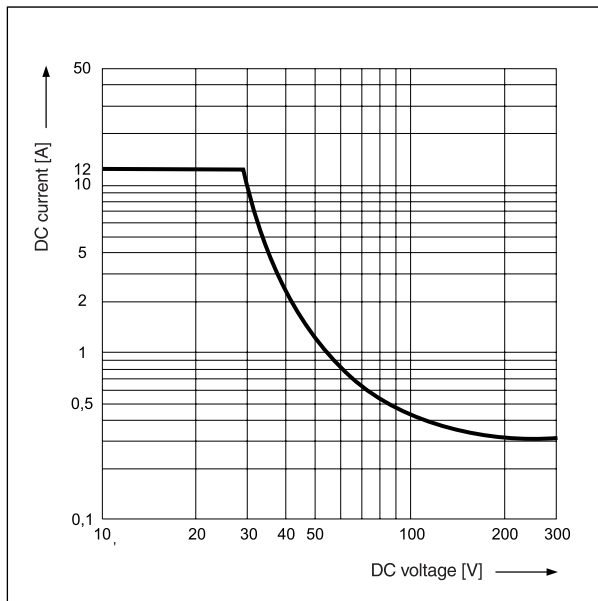
Electrical life reduction factor at AC inductive load

Fig. 2



Max. DC resistive load breaking capacity

Fig. 3



Mounting

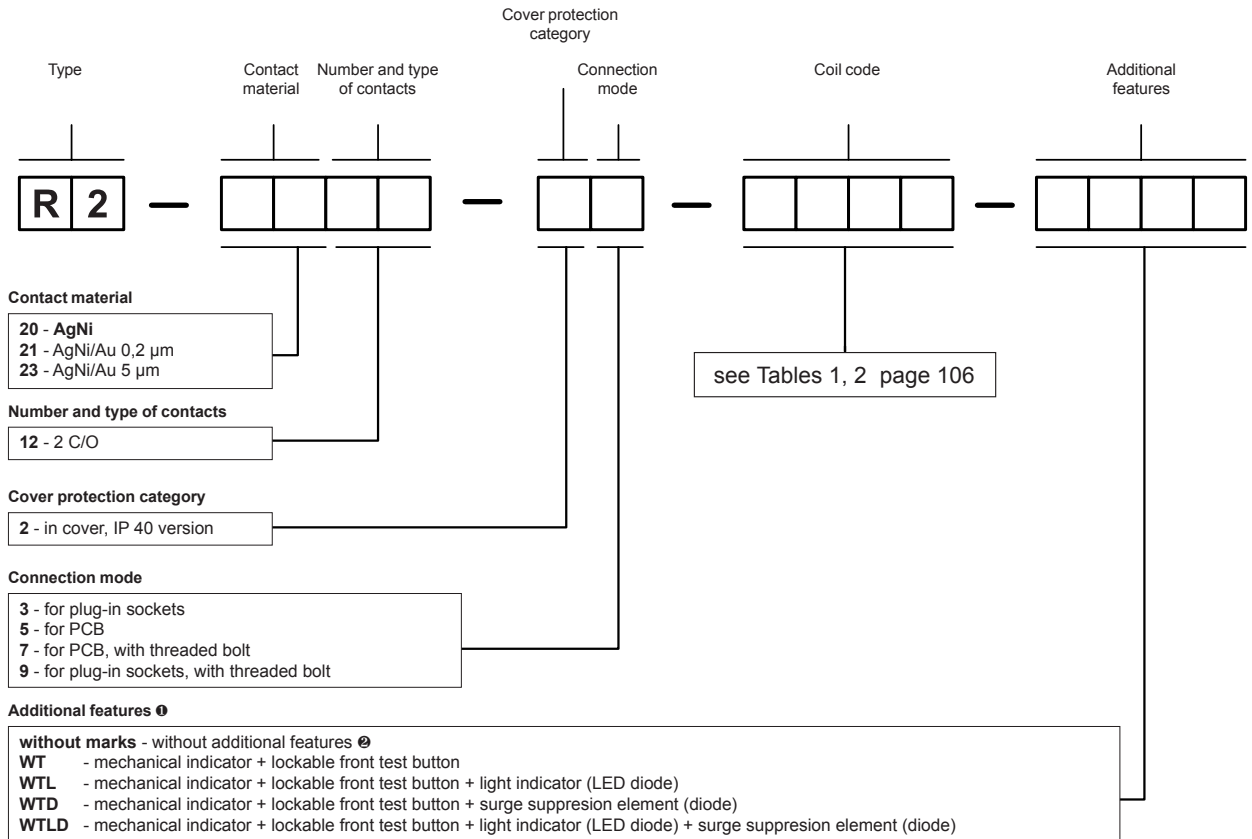
Relays R2 are offered in versions: • standard WT (mechanical indicator + lockable front test button), for plug-in sockets. In standard version of relays (WT) is possibility self-exchange of button type T for: button type P (no latching) or plug (no manual operation). Buttons type P and plugs need to ordered separately • for PCB (without WT) • with threaded bolt.

Relays R2 are designed for: • screw terminals plug-in sockets GZT2 and GZM2 with clip GZT4-0040 or G4 1052, 35 mm DIN rail mount, EN 50022 or on panel mounting. Signalling / protecting modules type M... are available with sockets (see page 198) • plug-in sockets for PCB mounting SU4/2D with clip G4 1053 (WT) or G4 1050 (without WT) • solder terminals sockets SU4/2L with clip G4 1053 (WT) or G4 1050 (without WT) and spring clamp G4 1040 • solder terminals sockets G4/2 with clip G4 1053 (WT) or G4 1050 (without WT) • direct PCB mounting.

Contact material selection for different load types

- **AgNi** - for resistive or inductive loads,
- **AgNi/Au 0,2 µm** - contact surface protection against oxidation during storage,
- **AgNi/Au 5 µm** - for small resistive loads in control circuits.

Ordering codes



- ① WT - standard features of relays for plug-in sockets. WTD, WTLD - only for DC coils
- ② Refer relays for PCB and with threaded bolt

Test buttons type P and plugs need to be ordered separately. They substitute buttons type T. To be exchanged by the customer themselves.

Information on buttons type P and plugs - page 199.

- Button R4P-0001-A - orange colour (AC coils)
- Button R4P-0001-D - green colour (DC coils)
- Plug R4W-0003-A - orange colour (AC coils)
- Plug R4W-0003-D - green colour (DC coils)

Note:

For relays with DC coils and additional features inclusive: **D** - surge suppression element (diode) and **L** - light indicator (LED diode) coil supply polarization is fixed. Terminal A1 (13) "+"; terminal A2 (14) "-". Supply polarization is marked on relay cover. Colour of lockable front test button type T represents type of coil supply current: orange - AC coil, green - DC coil.

Examples of ordering codes:

- R2-2012-23-1024-WT** relay **R2**, contact material AgNi, with two changeover contacts, in cover IP 40, for plug-in sockets, voltage version 24 V DC, with mechanical indicator and lockable front test button
- R2-2012-25-1024** relay **R2**, contact material AgNi, with two changeover contacts, in cover IP 40, for PCB, voltage version 24 V DC